

In-Line Filter DWFF160

(8-03-160-100k, 8-03-160-040k, 8-03-160-010k)



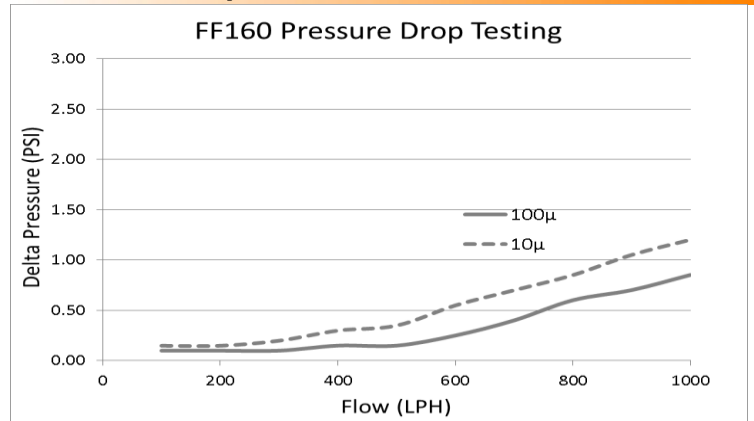
DW fuel filters are compatible with a wide range of fuels including pump gas, race gas, MTBE, ethanol, methanol, and diesel. DW recommends a maximum service interval of 12 months or 12,000 miles. Shorter service intervals are recommended with harsher conditions and corrosive fuels.

- Stainless Steel Mesh 10, 40 or 100 Micron
- -10AN ORB Inlet/Outlet
- 110mm Length
- Universal Fitment

Specifications

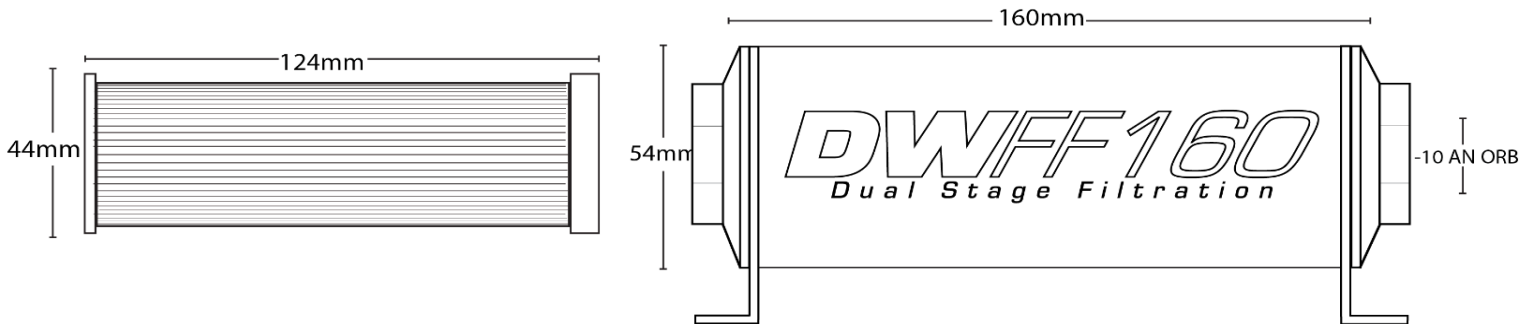
Weight	13.9 oz (395 grams)
External Materials	Anodized T6061 Aluminum
Inlet Fitting	-10 AN ORB
Outlet Fitting	-10 AN ORB
Sealing	Viton O-rings
Mechanical Filtration	304 Stainless Steel Mesh
Magnetic Filtration	35mm Neodymium Ring
Flow Rating (10μ)	1,000 LPH
Flow Rating (100μ)	>1,000 LPH
Avg Surface Area	65 sq in

Pressure Drop



LPH	200	300	400	500	600	700	800	900
10μ	0.15	0.20	0.30	0.35	0.55	0.70	0.85	1.05
100μ	0.10	0.10	0.15	0.15	0.25	0.40	0.60	0.70

Dimensions



THIS PRODUCT MAY BE USED SOLELY ON VEHICLES USED IN SANCTIONED COMPETITION WHICH MAY NEVER BE USED UPON A PUBLIC ROAD OR HIGHWAY, UNLESS PERMITTED BY SPECIFIC REGULATORY EXEMPTION