

In-Tank Pump DW65c (9-651, 6-652)



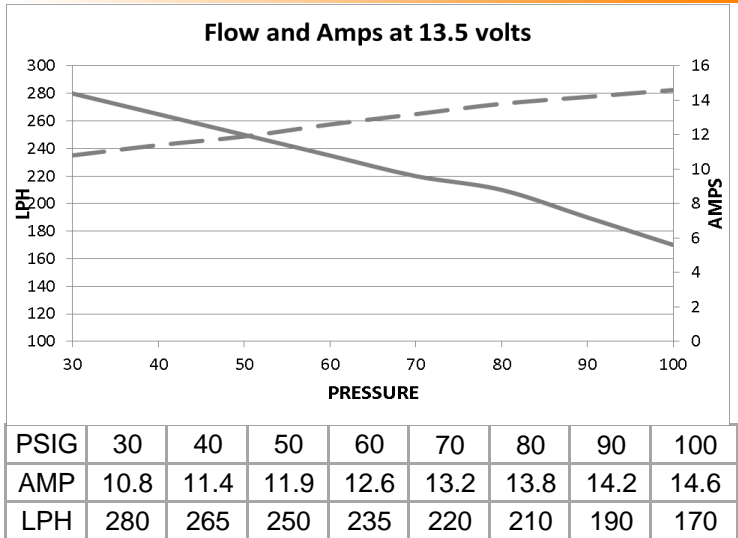
PN 9-651 represented in above photo

The DW65c was the industry's first compact fitment high flow pump. The compact fitment offers easy installation into many modern fuel pump modules where standard sized pumps (such as DW100, DW200, and DW300) cannot be fitted. The DW65c flows 265lph at 40psi and features a quiet and reliable turbine impeller which is compatible with pulse width modulated pump drivers. The pump also features an encapsulated armature for compatibility with ethanol based fuels. All DW fuel pumps are backed by a 3-yr no fault warranty.

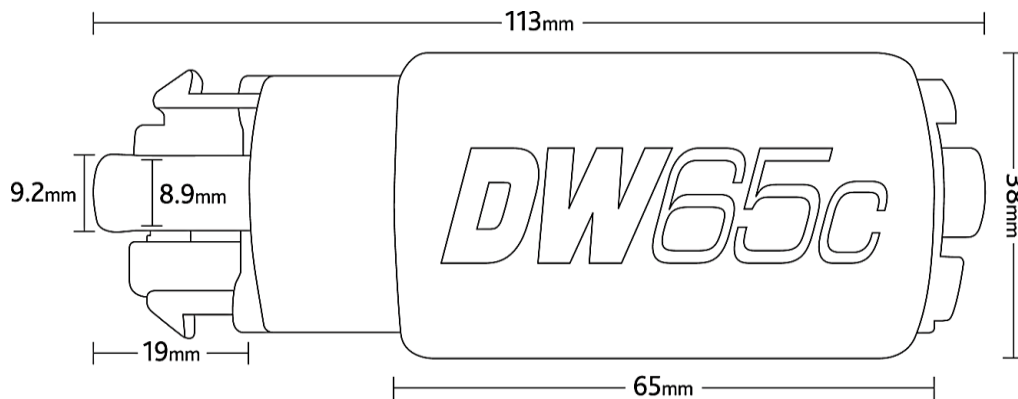
Specifications

Weight	10.1oz (285grams)
External Materials	Electroplated Steel
Inlet Fitting	7.7mm ID, 11.0mm OD
Outlet Fitting	5/16" Hose Clamp
PRV Activation	100 psi
Impeller Design	Single Scroll Composite Turbine
Connector Terminal	Spade Pos/Neg
Min Voltage Input	6 Volts
Max Voltage Input	18 Volts
Current Draw 40psi	12 Amps (13.5v)

Delivery Characteristics



Dimensions



PN 9-652 represented in above technical drawing

THIS PRODUCT MAY BE USED SOLELY ON VEHICLES USED IN SANCTIONED COMPETITION WHICH MAY NEVER BE USED UPON A PUBLIC ROAD OR HIGHWAY, UNLESS PERMITTED BY SPECIFIC REGULATORY EXEMPTION