

In-Tank Pump DW65a (9-653)

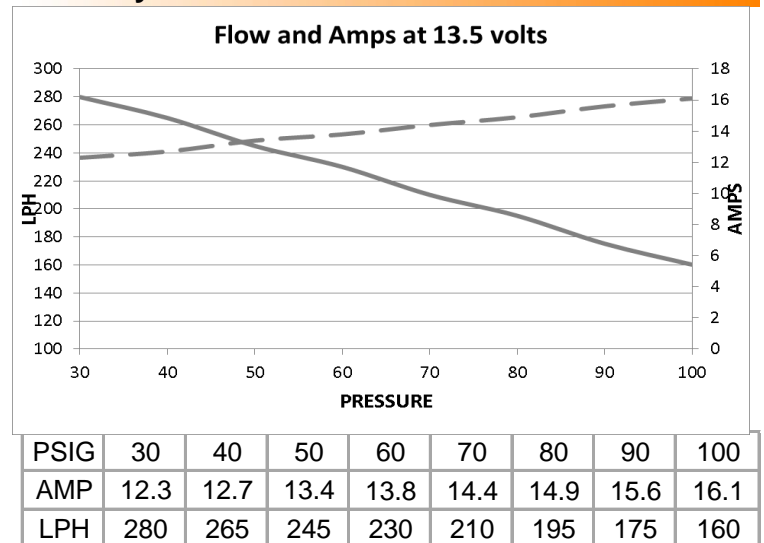


The DW65a in-tank fuel pump with install kit was specifically designed for the Holden Commodore Gen III 97-06 5.7/6.0 V8 but also fits other popular applications (see application guide). The DW65a flows 265lph at 40psi and features a quiet and reliable turbine impeller which is compatible with pulse width modulated pump drivers. The pump also features an encapsulated armature for compatibility with ethanol based fuels. All DW fuel pumps are backed by a 3-yr no fault warranty.

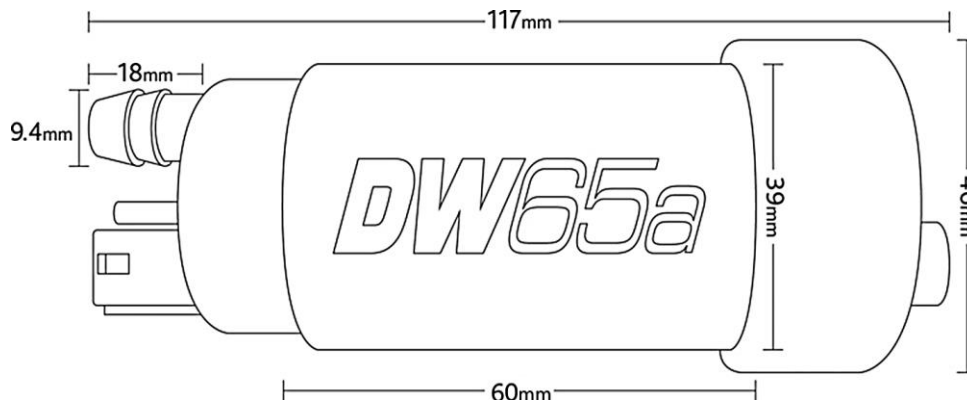
Specifications

Weight	12oz (340grams)
External Materials	Electroplated Steel
Inlet Fitting	7.7mm ID, 11.0mm OD
Outlet Fitting	5/16" Hose Clamp
PRV Activation	>100psi
Impeller Design	Single Scroll Composite Turbine
Connector Terminal	Spade Pos/Neg
Min Voltage Input	6 Volts
Max Voltage Input	18 Volts
Current Draw 40psi	12.7 Amps (13.5v)

Delivery Characteristics



Dimensions



THIS PRODUCT MAY BE USED SOLELY ON VEHICLES USED IN SANCTIONED COMPETITION WHICH MAY NEVER BE USED UPON A PUBLIC ROAD OR HIGHWAY, UNLESS PERMITTED BY SPECIFIC REGULATORY EXEMPTION