

In-Line Pump DW350iL (9-350)



The DW350iL is engineered for high flow at high pressure. The pump is rated at 350lph at 40psi and maintains over 300lph at 70psi. This flat flow curve is a result of combining a high torque motor and a roller-vane pumping mechanism. High flow at high pressure is a must for turbo and supercharged applications. Plumbing is easy with the -8AN ORB inlet and outlet. The 350iL is compatible with ethanol blended fuels but is NOT compatible with methanol or diesel fuels. T-bolt mounting brackets are included with each pump. All DW fuel pumps are backed by a 3-yr no-fault warranty.

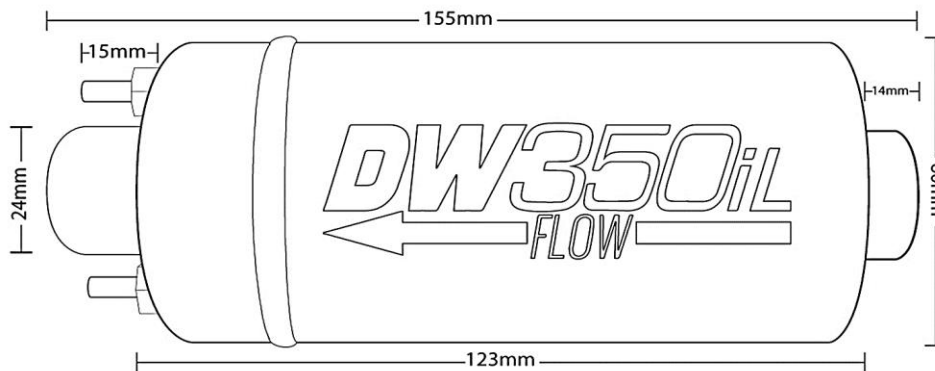
Specifications

Weight	34oz (975grams)
External Materials	Hard Anodized Aluminum
Inlet Fitting	-8 AN ORB
Outlet Fitting	-8 AN ORB
PRV Activation	NA
Impeller Design	Roller-Vane
Connector Terminal	Binding Post (M5x0.8)
Min Voltage Input	8 Volts
Max Voltage Input	18 volts
Current Draw 40psi	12.0 amps (13.5v)

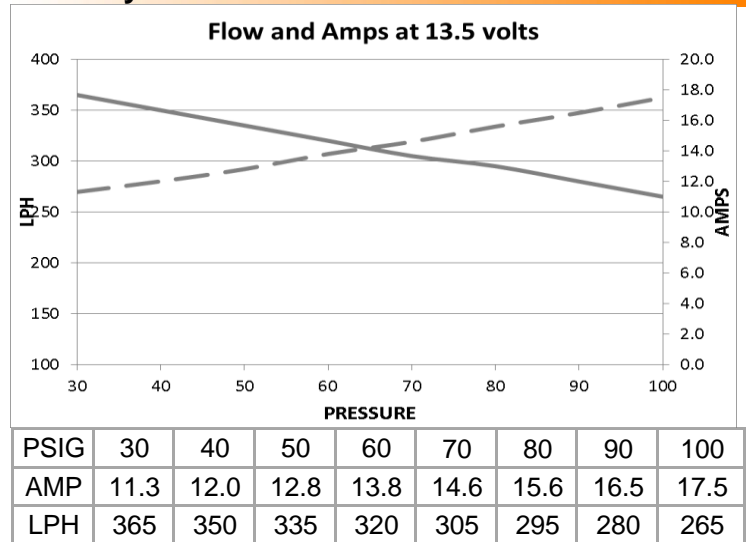
Other Notes

- * This pump does not have an internal check valve
- * Torque spec for electrical terminals is 25-30 in-lb

Dimensions



Delivery Characteristics



THIS PRODUCT MAY BE USED SOLELY ON VEHICLES USED IN SANCTIONED COMPETITION WHICH MAY NEVER BE USED UPON A PUBLIC ROAD OR HIGHWAY, UNLESS PERMITTED BY SPECIFIC REGULATORY EXEMPTION