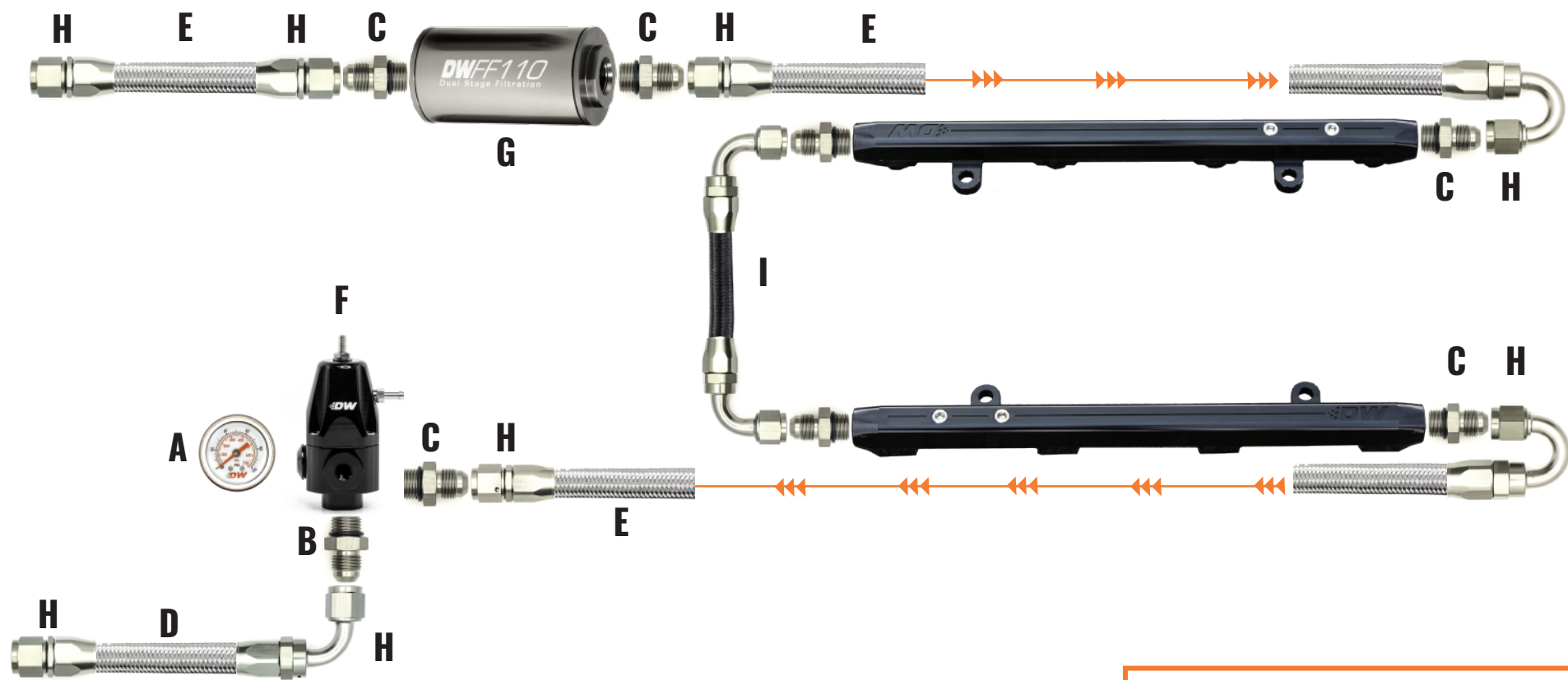




# Coyote Return Fuel Rail Kit



**PN: 7-301-RTN-XXXX**

- A 6-01-G** Mechanical Fuel Pressure Gauge
- B 6-02-0401** 8AN ORB Male to 6AN Male Flare Adapter (incl O-Ring)
- C 6-02-0402** 8AN ORB Male to 8AN Male Flare Adapter (incl O-Ring)
- D 6-02-0812-XXX** 6AN SS Double Braided CPE Hose
- E 6-02-0813-XXX** 8AN SS Double Braided CPE Hose
- F 6-1000-FRB** DWR1000 Fuel Pressure Regulator
- G 8-03-110-010K** DW In Line Fuel Filter 110mm 10micron Stainless Steel

- I Crossover - Comes Pre-Assembled**
- **6-02-0402** 8AN ORB Male to 8AN Male Flare Adapter (incl O-Ring)
  - **6-02-0807** 8AN Female Swivel 90° Hose End CPE
  - **6-02-0816-XXX** 8AN Black Nylon Braided CPE Hose

- H Options Included**
- **6-02-0801** 6AN Female Swivel Strait Hose End CPE
  - **6-02-0802** 6AN Female Swivel 45° Hose End CPE
  - **6-02-0803** 6AN Female Swivel 90° Hose End CPE
  - **6-02-0805** 8AN Female Swivel Straight Hose End CPE
  - **6-02-0806** 8AN Female Swivel 45° Hose End CPE
  - **6-02-0807** 8AN Female Swivel 90° Hose End CPE
  - **6-02-0808** 8AN Female Swivel 180° Hose End CPE

For installation assistance call 405-217-0701 or email [techsupport@deatschwerks.com](mailto:techsupport@deatschwerks.com)