

Fuel Pressure Regulator DWR1000 (6-1000-FRB, 6-1000-FRT)



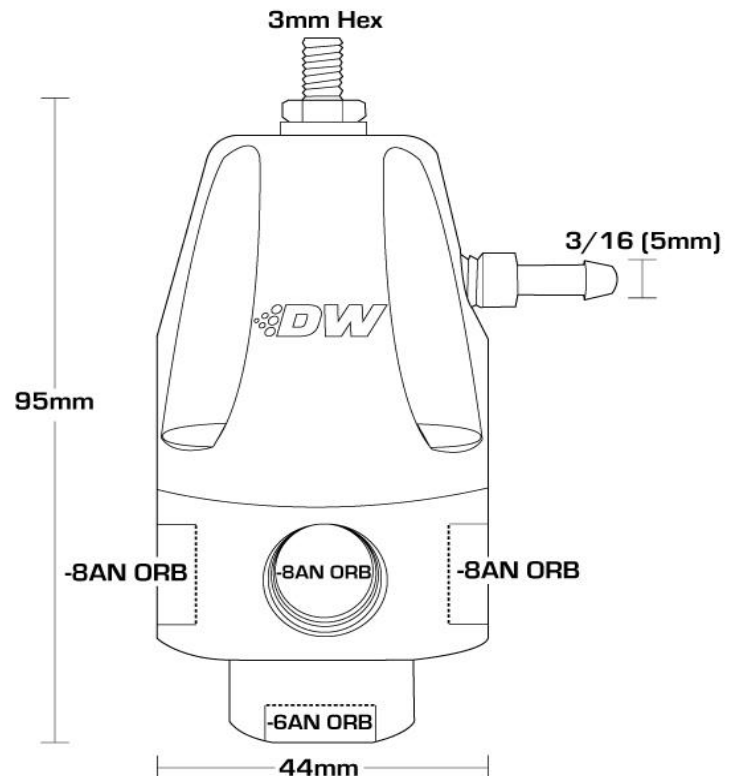
The **DWR1000** regulator is engineered to support EFI engines producing between 250HP and 1000HP. This regulator features the optimum balance of fitment versatility, premium construction, and precision performance. It is available in your choice of black or titanium finish.

- Precision performance and versatility of up to 1,000HP
- -8AN ORB inlets, -6AN ORB outlet
- Compatible with all fuels including methanol and ethanol
- 2 psi per turn precision ball bearing adjustment
- Multi-directional bracket for Installation flexibility
- 3 Year Comprehensive Warranty

Dimensions

Specifications

Weight	8.6 oz (244g)
External Materials	Anodized T6061
Hardware/Brackets	Stainless Steel
Tension Spring	Stainless Steel
Diaphragm	35mm Fiber-Nitrile
Pressure Range	30-100psi
Flow Rating	500 LPH
HP Rating	1000 HP
Gauge Port Fitting	1/8" NPT*
Inlet Ports	Quad -8AN ORB
Outlet Ports	Single -6AN ORB



THIS PRODUCT MAY BE USED SOLELY ON VEHICLES USED IN SANCTIONED COMPETITION WHICH MAY NEVER BE USED UPON A PUBLIC ROAD OR HIGHWAY, UNLESS PERMITTED BY SPECIFIC REGULATORY EXEMPTION