

# DW440 Brushless In-Tank Pump (9-441)



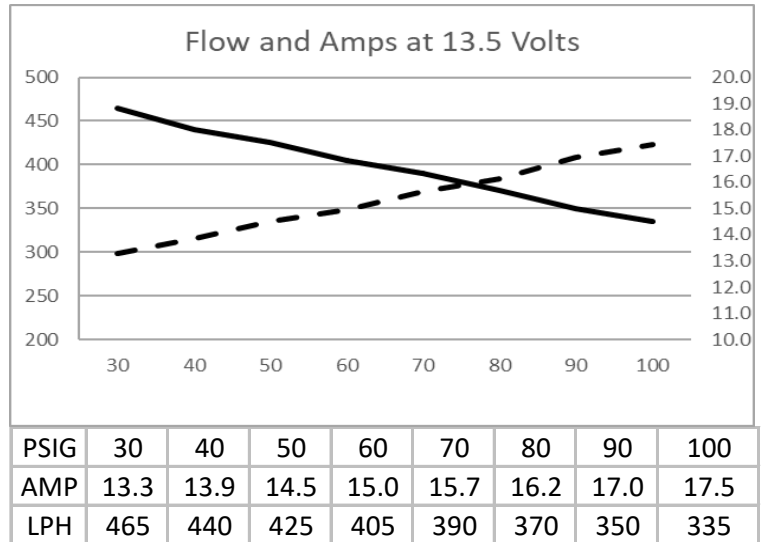
The DW440 brings brushless pump technology INTO the fuel tank. With a total height of only 4 inches (102mm), it is the only highflow aftermarket brushless pump that is easily retro-fitted into an OE pump module. Brushless technology reduces friction and heat, increases efficiency, vastly improves pump lifespan in ethanol and methanol fuels, and allows higher voltage inputs for increased flow.

- 440LPH at 40psi, 13.8v, 620LPH at 40psi, 20v
- Compact size is optimized for in-tank use
- Universal bulkhead harness and fitment kit included
- Compatible with all fuels including methanol and e100
- No brushes + No commutator = Ultimate Durability

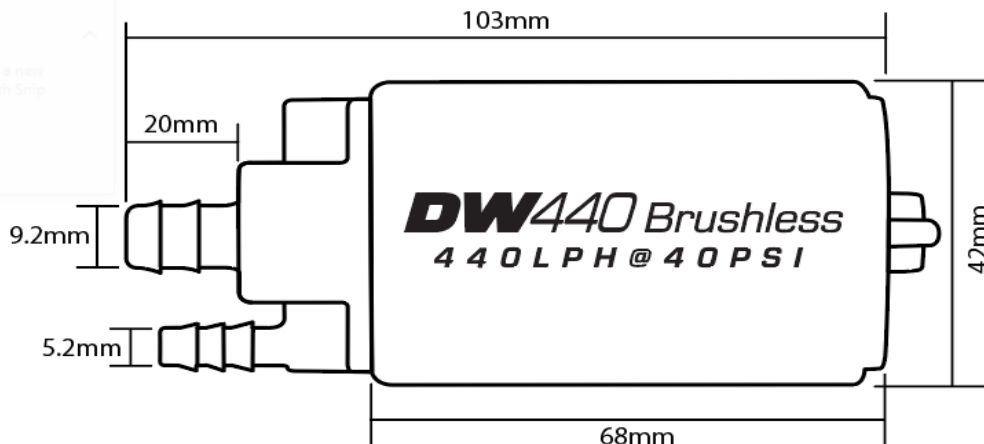
## Specifications

<b>Weight</b>	9.2oz (260 grams)
<b>External Materials</b>	Electroplated Steel
<b>Inlet Fitting</b>	8.5mm ID, 11.0mm OD
<b>Outlet Fitting</b>	3/8" Hose Clamp
<b>PRV Activation</b>	>125 psi
<b>Impeller Design</b>	Single Scroll Composite Turbine
<b>Connector Terminal</b>	4-Spade Brushless
<b>Min Voltage Input</b>	8 Volts
<b>Max Constant Voltage</b>	18 Volts
<b>Max Periodic Voltage</b>	22 Volts

*Note: Brushless pump must be used with a brushless pump controller (see DW part numbers C101, C102, and C103.*

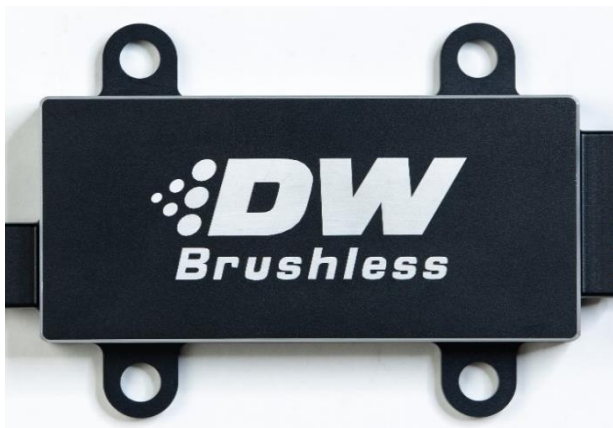


## Dimensions



THIS PRODUCT MAY BE USED SOLELY ON VEHICLES USED IN SANCTIONED COMPETITION, WHICH MAY NEVER BE USED UPON A PUBLIC ROAD OR HIGHWAY, UNLESS PERMITTED BY SPECIFIC REGULATORY EXEMPTION

# DWC1 Brushless Pump Controller (C101, C102, C103)



The DW C1 Brushless Pump Controller is included with the DW440 LPH in-tank fuel pump kits. This controller accepts an 8-22v DC input and creates a digital signal to allow efficient and precise speed and torque control of the DW440 pump. The controller is available in 3 configurations: C101 (single speed), C102 (dual speed), and C103 (pwm controlled).

- Optimized for use with the DW440 brushless pump
- Variable timing for optimized torque and speed
- Designed for compatibility with voltage boosters
- Bulkhead wiring kit included for in-module retrofit
- Digital thermal protection

## Specifications

<b>Weight</b>	11.8oz (336g)	- 36" wiring harness with flexible high temp silicone insulation and 12awg power and ground
<b>External Materials</b>	Anodized T6061	- Digital thermal protection (105C)
<b>Voltage Input*</b>	8 volts min, 22v max	- 4pin high current GM-style bulkhead wiring kit
<b>Max Current</b>	40 amp	

\*high load switch/trigger suggested for voltages above 18v

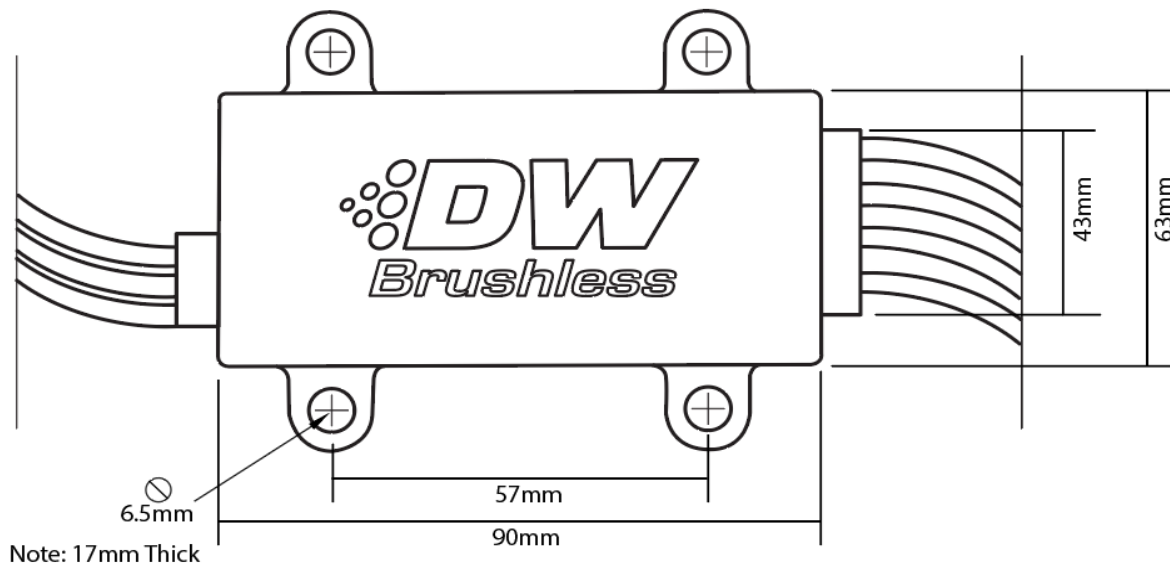
### 3 controller options available

**PN: C101** - single speed - constant 100% duty cycle

**PN: C102** - dual speed - 68% duty cycle with 100% duty cycle ground switch

**PN: C103** - PWM input accepts any frequency from 20Hz to 200kHz (open 0%, ground 100%). Inquire with DW tech support for information on compatibility with your specific OE or aftermarket fuel pump controller.

## Dimensions



THIS PRODUCT MAY BE USED SOLELY ON VEHICLES USED IN SANCTIONED COMPETITION WHICH MAY NEVER BE USED UPON A PUBLIC ROAD OR HIGHWAY, UNLESS PERMITTED BY SPECIFIC REGULATORY EXEMPTION

DeatschWerks, LLC 405-217-0701 techsupport@deatschwerks.com REV 04-10-20