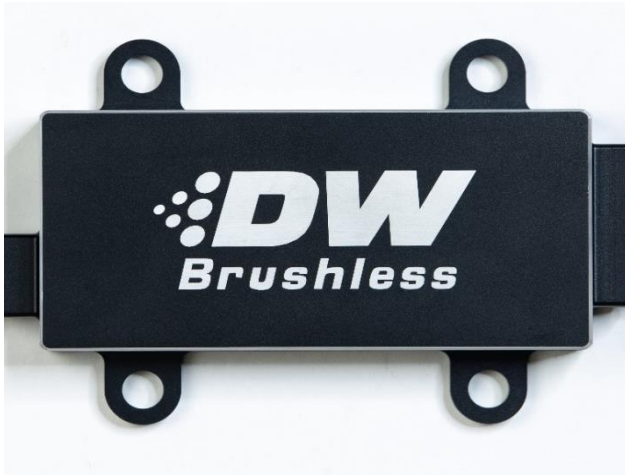


DWC1 Brushless Pump Controller (C101, C102, C103)



The DW C1 Brushless Pump Controller is included with the DW440 LPH in-tank fuel pump kits. This controller accepts an 8-22v DC input and creates a digital signal to allow efficient and precise speed and torque control of the DW440 pump. The controller is available in 3 configurations (single speed, dual speed, and PWM).

- Optimized for use with the DW440 brushless pump
- Variable timing for optimized torque and speed
- Designed for compatibility with voltage boosters
- Bulkhead wiring kit included for in-module retrofit
- Digital thermal protection

Specifications

Weight	11.8oz (336g)	- 36" wiring harness with flexible high temp silicone insulation and 12awg power and ground
External Materials	Anodized T6061	- Digital thermal protection (105C)
Voltage Input*	8 volts min, 22v max	- 4pin high current GM-style bulkhead wiring kit
Max Current	40 amp	

*high load switch/trigger suggested for voltages above 18v

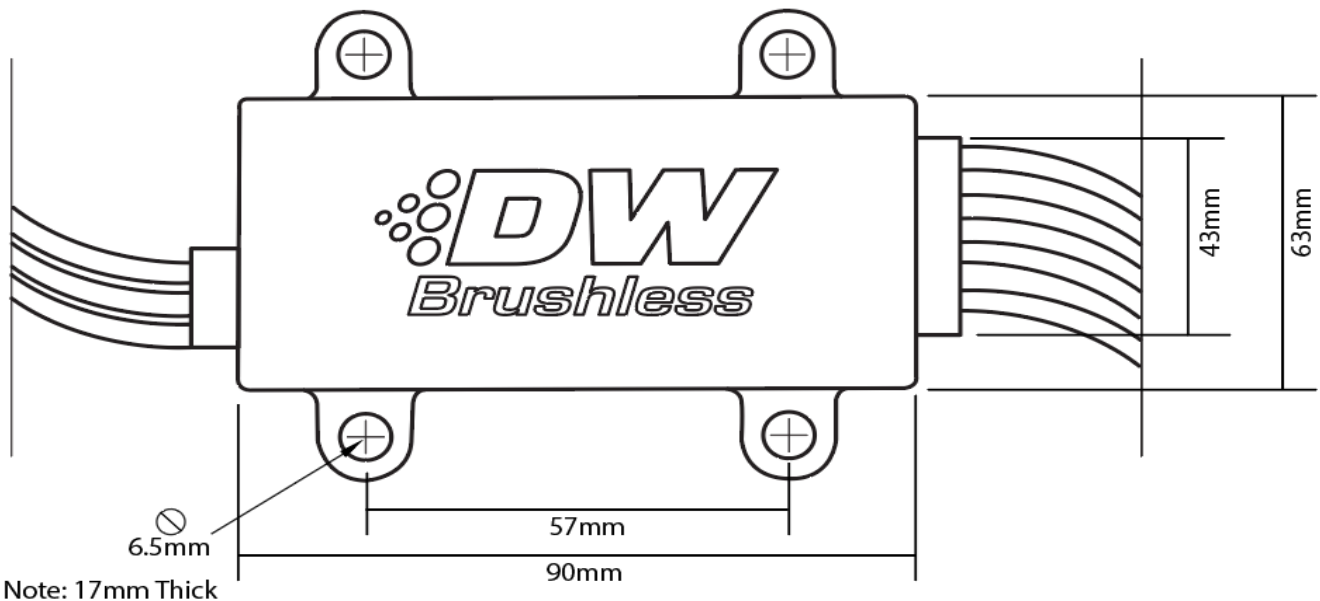
3 controller options available

PN: C101 - single speed - constant 100% duty cycle

PN: C102 - dual speed - 68% duty cycle with 100% duty cycle ground switch

PN: C103 - PWM - FET switching 16kHz (open 0%, ground 100%)

Dimensions



THIS PRODUCT MAY BE USED SOLELY ON VEHICLES USED IN SANCTIONED COMPETITION WHICH MAY NEVER BE USED UPON A PUBLIC ROAD OR HIGHWAY, UNLESS PERMITTED BY SPECIFIC REGULATORY EXEMPTION

